

1500/2500

2-Way Speaker

SPECIFICATIONS

ACOUSTIC & ELECTRICAL SPECIFICATIONS:

- Nominal Impedance: 4 ohms
- Maximum Power Rating: 100 watts
- Frequency Response: 45Hz-20,000Hz +/-4dB
- Efficiency: 86dB @ 1 meter 1 watt

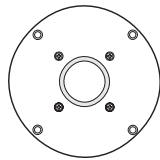
PRODUCTION HISTORY

- Introduced in 1981
- Discontinued 1983
- Original Retail Price: \$298.00/pair

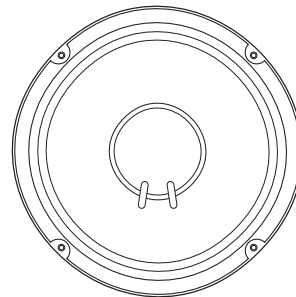
PHYSICAL SPECIFICATIONS:

- 1x - 1" (2.5cm) Dome Tweeter
- 1x - 8" (20.3cm) Woofer
- Dimensions: 20"H x 13"W" x 9-1/2"D
50.8cm(H) x 33cm(W) x 24.1cm(D)
- Cabinet: Not Sold
- Grille: NLA
- Crossover: NLA
- Tweeter Level Control: #145-0103
- Logo: NLA

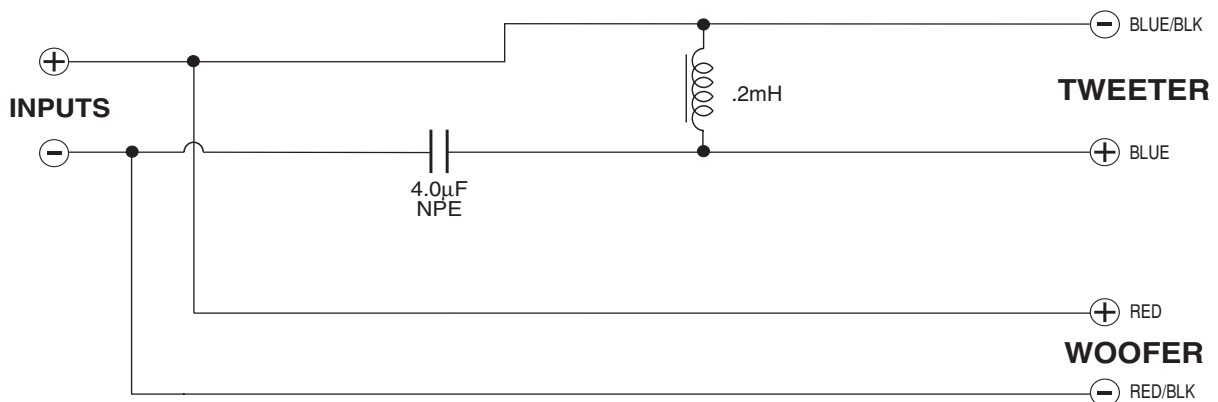
TECHNICAL INFORMATION



TWEETER NLA
Substitute #902-0136



8" WOOFER NLA
Substitute #902-2666



1500/2500 2-Way Speaker