

# Infinitesimal 0.1

## Infinitesimal Series 2-Way Speaker

### SPECIFICATIONS

#### ACOUSTIC & ELECTRICAL SPECIFICATIONS:

- Nominal Impedance: 4 ohms
- Power Rating: 15 to 100 watts RMS
- Crossover Frequencies: 3,000 Hz
- Frequency Response: 65Hz-32kHz +/-2dB

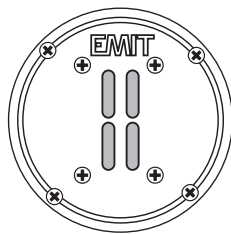
#### PRODUCTION HISTORY

- Introduced in 1978
- Discontinued 1980
- Original Retail Price: \$300.00/pair

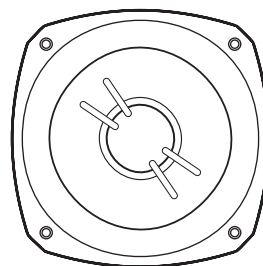
#### PHYSICAL SPECIFICATIONS:

- 1x - EMIT Tweeter (Electro Magnetic Induction Tweeter)
- 1x - 5" (12.7cm) Infinity/Watkins Dual-Drive Woofer
- Dimensions: 11"H x 6-1/4"W" x 5-1/4"D  
28x16x13cm
- Cabinet & Cosmetic Parts NLA
- Grille NLA
- Crossover NLA
- Logo NLA

### TECHNICAL INFORMATION



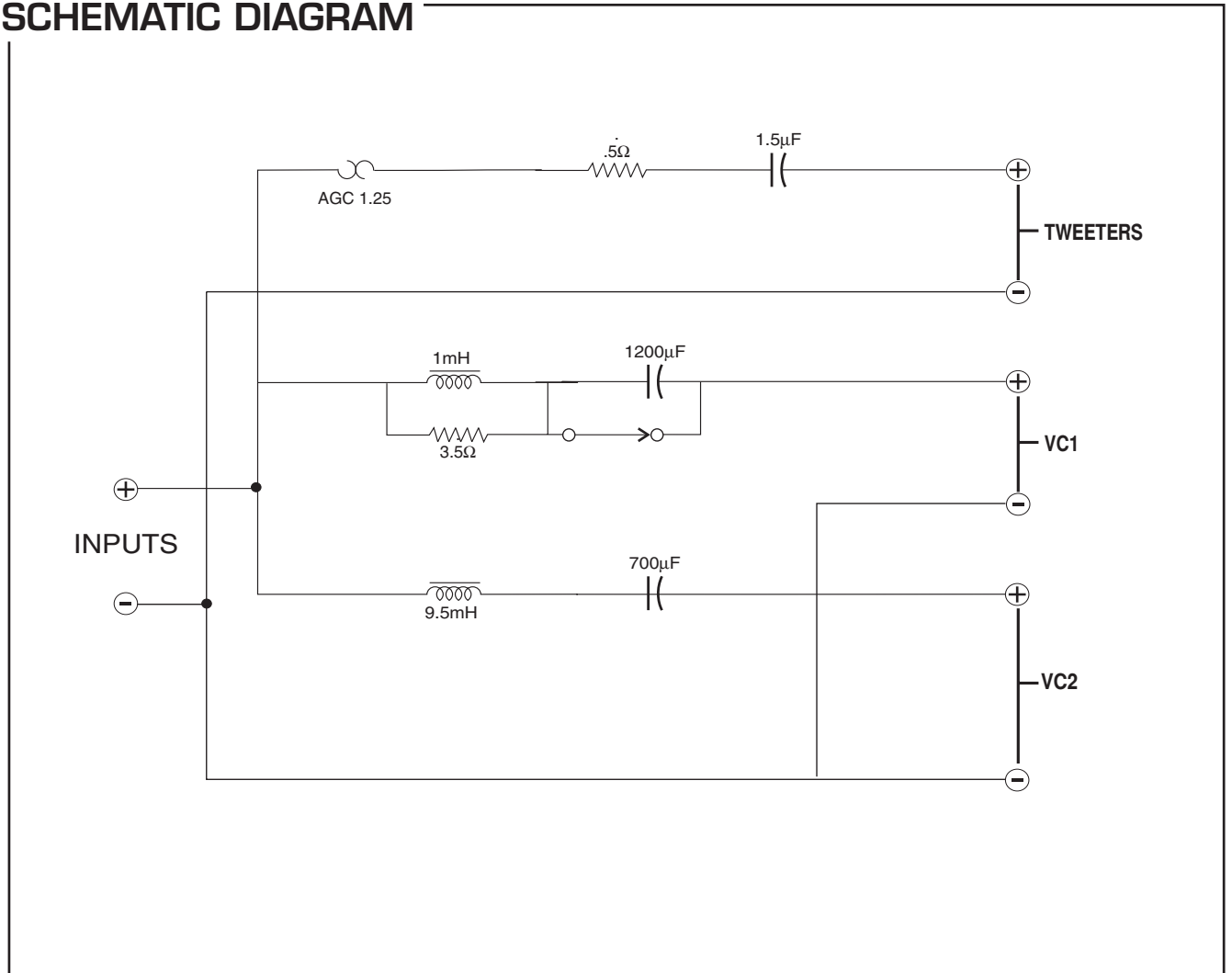
TWEETER NLA  
Substitute #902-3082  
DIAPHRAGM #751-3722



WOOFER NLA  
Substitute #902-0470

**See Schematic on second page**

# SCHEMATIC DIAGRAM



Infinitesimal 1 Infinitesimal Series 2-Way Speaker