

Kappa 7.1

Kappa Series 3-Way Speaker

SPECIFICATIONS

ACOUSTIC & ELECTRICAL SPECIFICATIONS:

- Nominal Impedance: 6 ohms
- Power Rating: 30 to 250 watts RMS
- Crossover Frequencies: 500Hz, 4.5kHz
- Frequency Response: 39Hz-35kHz +/-2dB
- Sensitivity: 89dB 2.8V/1 meter

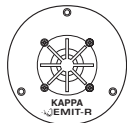
PRODUCTION HISTORY

- Introduced in 1992
- Discontinued 1996
- Original Retail Price: \$1,600.00/pair

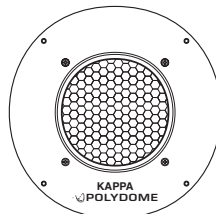
PHYSICAL SPECIFICATIONS:

- 1x - EMIT-R™ Tweeter
- 1x - 3" (7.6cm) Polydome Midrange
- 1x - 10" (25.4.5cm) IMG™ Woofer
- Dimensions: 43-3/8"H x 14-7/16"W" x 10-1/4"D (with grille)
110.2cm(H) x 36.7cm(W) x 26cm(D)
- Cabinet Not Sold
- Grille #026-5810
- Crossover #015-674
- Logo #716-6348
- Feet #846-2290
- Binding Post (set) #528-5925

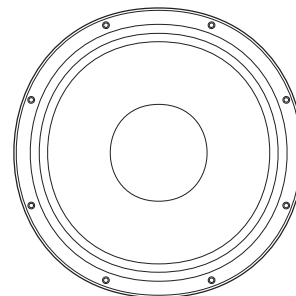
TECHNICAL INFORMATION



TWEETER
#902-5754
DIAPHRAGM
#751-6022



3" MIDRANGE
#902-5793
DIAPHRAGM
#751-7130

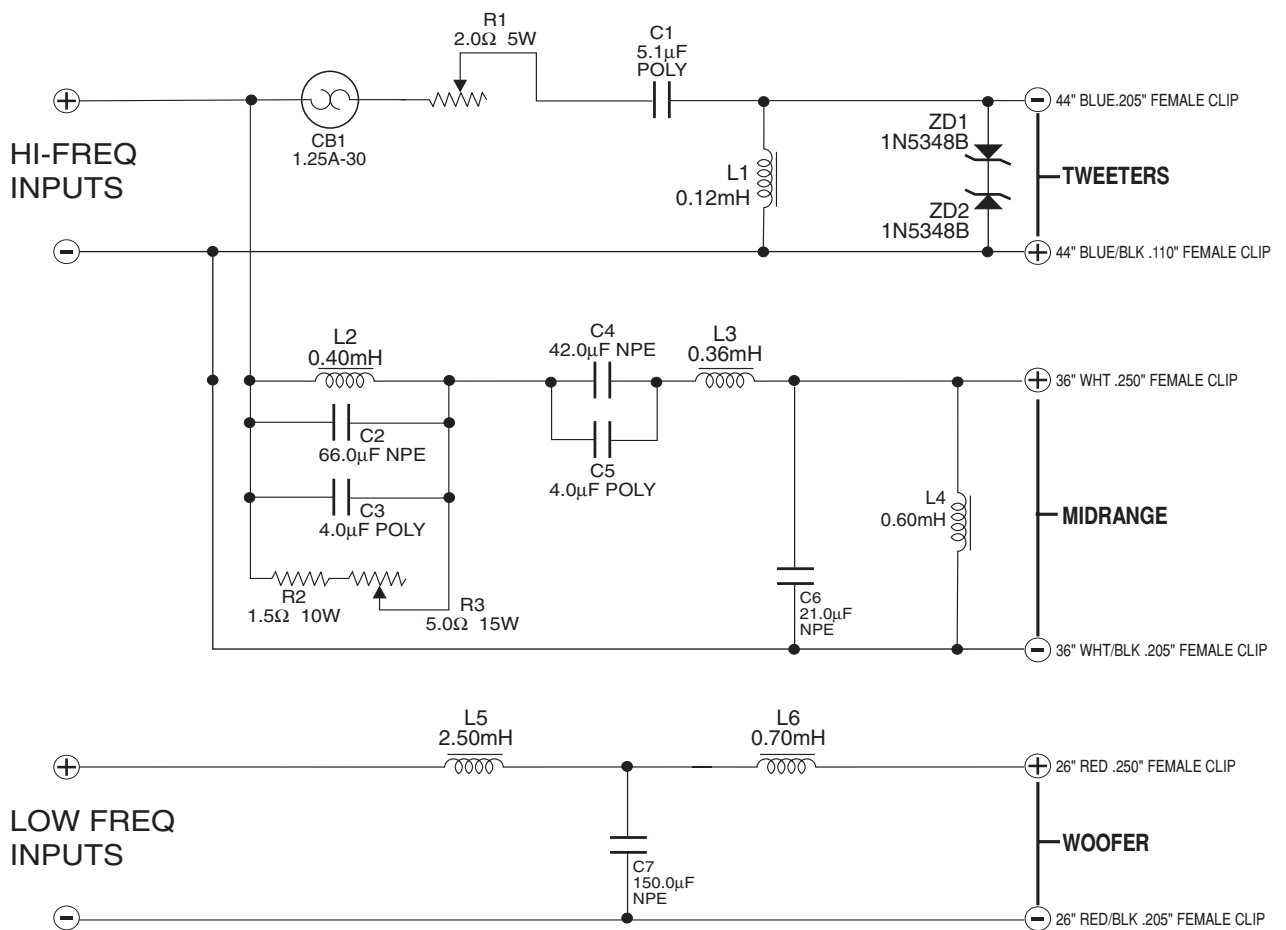


10" WOOFER #902-5806

SEE SCHEMATIC DIAGRAM ON SECOND PAGE

Kappa 7.1 Kappa Series 3-Way Speaker

SCHEMATIC DIAGRAM



Kappa 7.1 Kappa Series 3-Way Speaker