

QB

Quantum Series 3-Way Speaker

SPECIFICATIONS

ACOUSTIC & ELECTRICAL SPECIFICATIONS:

- Nominal Impedance: 4 ohms
- Power Rating: 15-150 watts RMS
- Sensitivity: 89dB @ 1 watt, 1 meter
- Crossover Frequencies: 600Hz and 4,000Hz
- Frequency Response: 42Hz-32,000Hz +/-3dB
- Horizontal Dispersion: -2dB at 60°, left or right (20kHz)

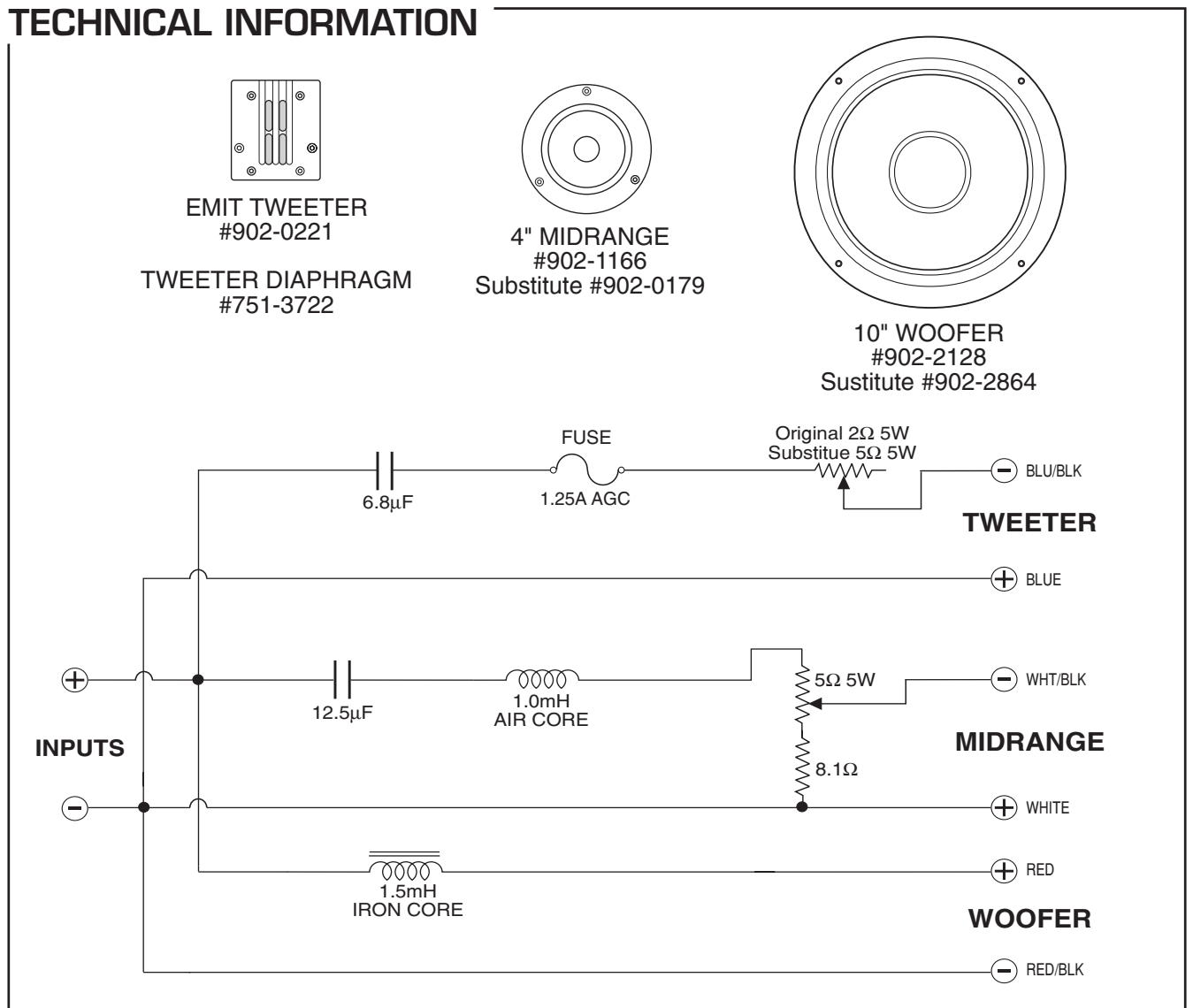
PRODUCTION HISTORY

- Introduced in 1978
- Discontinued 1983
- Original Retail Price: \$396.00/pair

PHYSICAL SPECIFICATIONS:

- 1x - EMIT Tweeter
- 1x - 4" (10.1cm) Midrange
- 1x - 10" (25.4cm) Q-Woofler
- Dimensions: 25"H x 14.5"W" x 12"D
63.5cm(H) x 36.8cm(W) x 30.5cm(D)
- Cabinet: Not Sold
- Grille: #A025-038
- Crossover: NLA
- Tweeter Level Control: #145-0103
- Midrange Level Control: #145-0103
- Logo: #716-0319

TECHNICAL INFORMATION



QB Quantum Series 3-Way Speaker