

RS II

Reference Standard Series 3-Way

SPECIFICATIONS

ACOUSTIC & ELECTRICAL SPECIFICATIONS:

- Nominal Impedance: 4 ohm
- Power Rating: 35-250 watts RMS
- Crossover Frequencies: 60, 125, 1500 and 3000Hz
- Frequency Response: 36Hz-32Hz +/-2dB

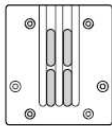
PRODUCTION HISTORY

- Introduced in 1981
- Discontinued 1983
- Original Retail Price: \$1,450.00/pair

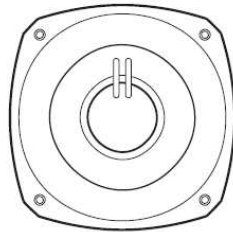
PHYSICAL SPECIFICATIONS:

- 2x - EMIT™ Tweeters (1 facing rearward)
- 3x - 5" (12.7cm) Dipole Midrange Drivers with Polypropylene Cones
- 2x - 10" (25cm) Woofers with Polypropylene Cones
- Dimensions: 48"H x 22-3/4"W x 18"D
122cm(H) x 58mm(W) x 46mm(D)
- Cabinet Not Sold
- Grille #A025-037
- Control Tweeter #145-0103
- Control Midrange #145-0110
- Crossover NLA
- Logo #716-0340

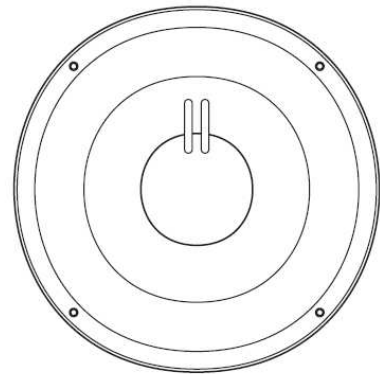
TECHNICAL INFORMATION



TWEETER
#902-5086

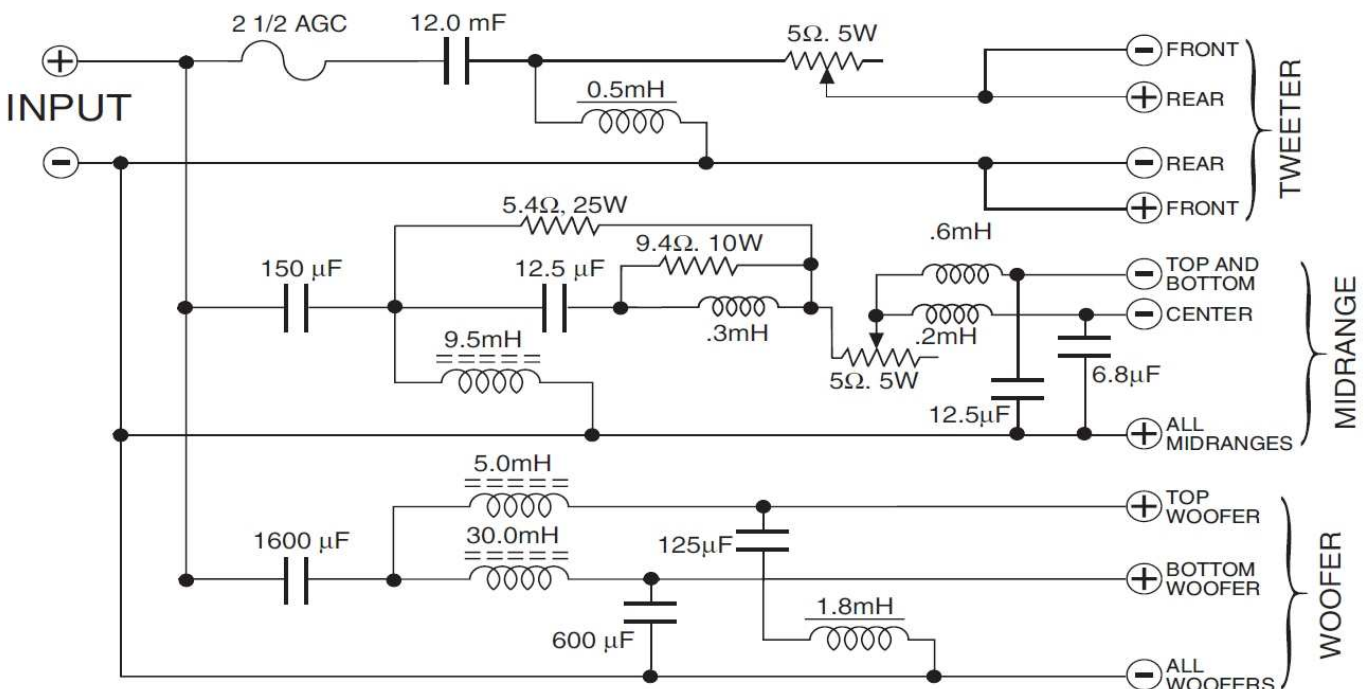


5" MIDRANGE DRIVER
#902-0632
Substitute #902-0470



10" WOOFER
#902-2279A

TWEETER DIAPHRAGM
#751-3722



RS II Reference Standard 3-Way