

SS-1/1A, SS1-A

3-Way Speaker

SPECIFICATIONS

ACOUSTIC & ELECTRICAL SPECIFICATIONS:

- **Nominal Impedance:** Tweeter = 8 ohms
Midrange = 16 ohms
- **Power Rating:** Servo bass amp (included with system):
150 watts RMS DC. XALL silicon transistors and high-voltage FET's
Midrange: 100 to 250 watts RMS per channel (FTC)
Tweeter: 35 to 125 watts RMS per channel (FTC)
- **Crossover Freq.:** At 70Hz and 2000Hz. Output 7V RMS into midrange and tweeter amps. Rate 6 dB per octave. Distortion less than .01% at 6V RMS.
- **Frequency Response:** 15Hz-30kHz +/-2dB

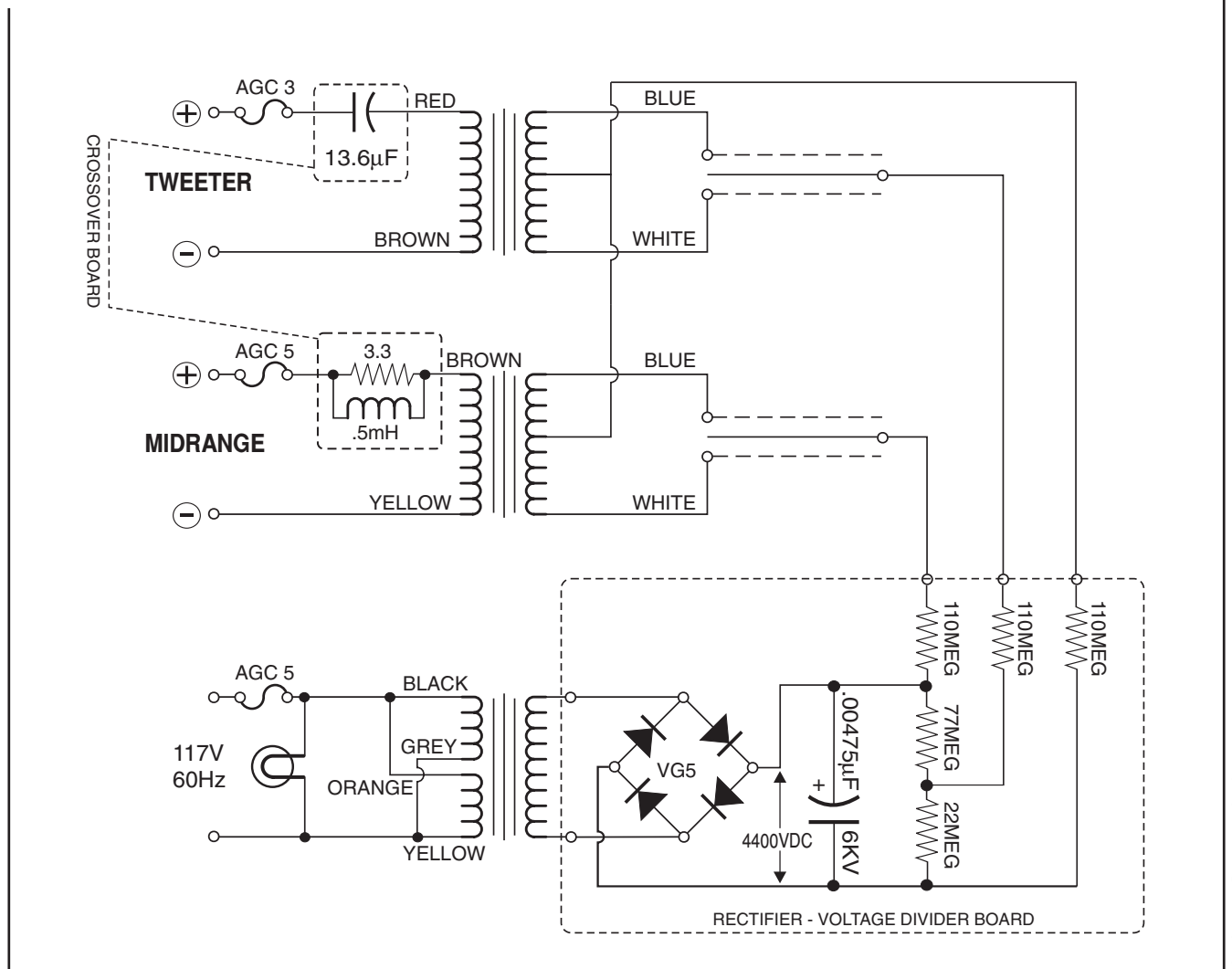
PHYSICAL SPECIFICATIONS:

- 1x - Tweeter #902-0164, Substitute built by RTR
- 1x - Midrange NLA
- 1x - 18" Woofer #902-0040, Substitute 18" Cerwin vega. XXX18" cone with 16" piston. Incorporates a built-in feed back XXXsensor. Utilizes a 35-pound magnetic circuit.
- Cabinet Not Sold
- Grille #025-0422
- Crossover NLA
- Logo #716-0138

PRODUCTION HISTORY

- Introduced in SS-1/1A 1969, SS1-A 1971
- Discontinued SS-1/1A 1971, SS1-A 1977
- Original Retail Price: SS-1/1A \$2,000.00/sys, SS1-A \$4,500.00/sys

TECHNICAL INFORMATION



SS-1/1A, SS1-A 3-Way Speaker