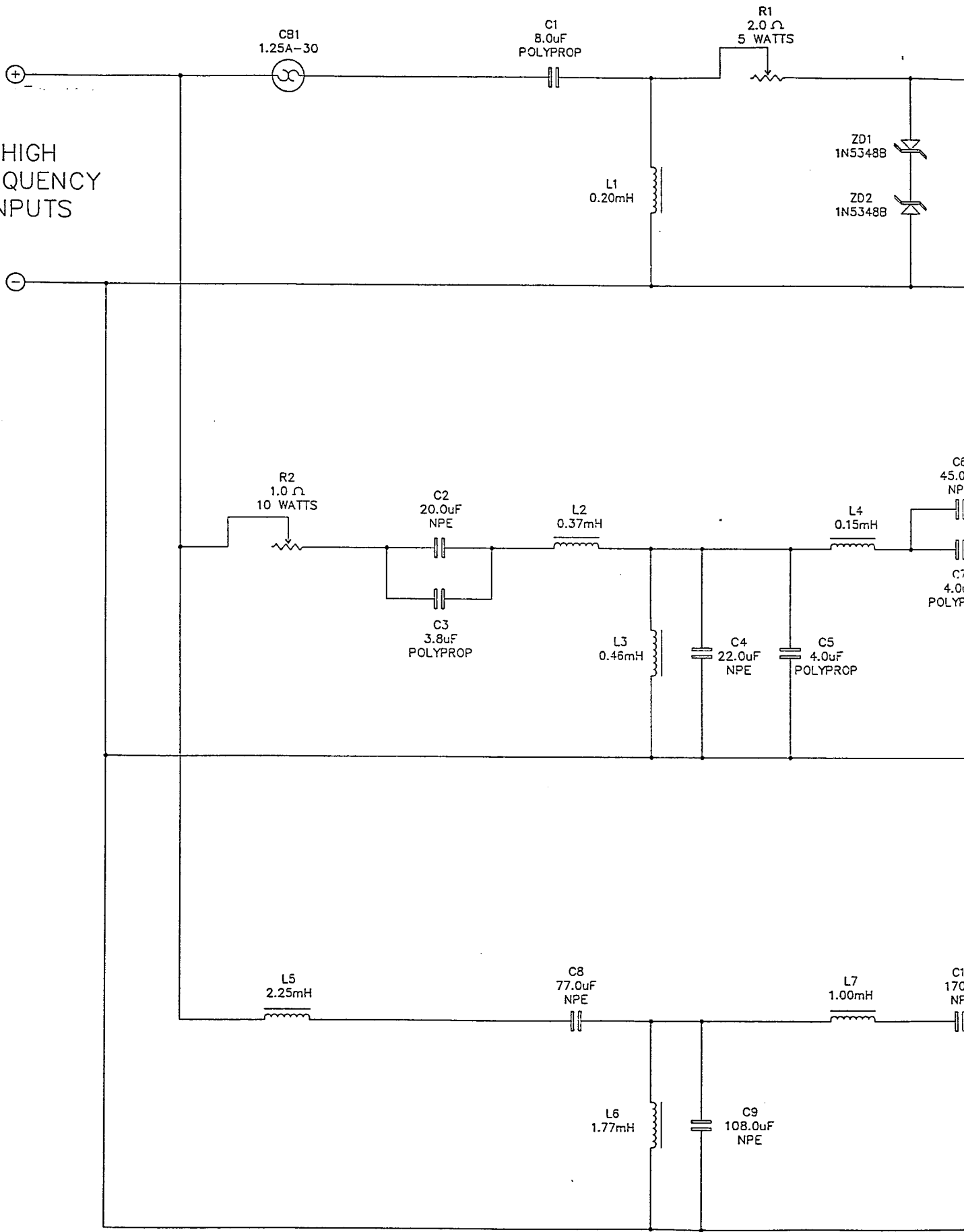


HIGH  
FREQUENCY  
INPUTS



| REVISIONS |      |  |          |          |
|-----------|------|--|----------|----------|
| ECO       | REV. | DESCRIPTION                              | DATE     | APPROVED |
| -         | A    | RELEASE FOR PRODUCTION                   | 07-19-94 | AS JI    |
| 1315      | B    | CHANGE TWT, MIDBASS, WOOFER WIRE LENGTHS | 08-02-94 | AS JI    |

**AUG 10 1994**

Bill of Material - .015...7229A  
08-02-94

| Inductors |        | Ref. | Value | Tol% | Amps <sup>2</sup> | DCR   | DQ@1k | Type | Air Gap   | Material    | Size |
|-----------|--------|------|-------|------|-------------------|-------|-------|------|-----------|-------------|------|
| L1        | 0.20mH | ①    | 5     | -    | .18               | 7.25  | SLUG  | -    | FERRITE   | 6x30mm      |      |
| L2        | 0.37mH | ①    | 5     | -    | .15               | 14.90 | SLUG  | -    | IRON      | 10x40mm     |      |
| L3        | 0.46mH | ①    | 5     | -    | .13               | 12.50 | I     | -    | STEEL LAM | 41x6x7mm    |      |
| L4        | 0.15mH | ①    | 5     | -    | .10               | 9.60  | SLUG  | -    | IRON      | 10x40mm     |      |
| L5        | 2.25mH | ①    | 5     | -    | .29               | 19.10 | I     | -    | STEEL LAM | 57x9.5x10mm |      |
| L6        | 1.77mH | ①    | 5     | -    | .29               | 15.60 | I     | -    | STEEL LAM | 57x9.5x10mm |      |
| L7        | 1.00mH | ①    | 5     | -    | .18               | 16.10 | I     | -    | STEEL LAM | 41x6x7mm    |      |

| Capacitors |         | Ref. | Value | Tol% | D.F.% (Hz) | AC Volts | Type     | Brand |
|------------|---------|------|-------|------|------------|----------|----------|-------|
| C1         | 8.0uF   | 5    | 0.1   | 1K   | 100        | POLYPROP | INFINITY |       |
| C2         | 20.0uF  | 5    | 6.0   | 1K   | 100        | NPE      | -        |       |
| C3         | 3.8uF   | 5    | 0.1   | 1K   | 100        | POLYPROP | INFINITY |       |
| C4         | 22.0uF  | 5    | 6.0   | 1K   | 100        | NPE      | -        |       |
| C5         | 4.0uF   | 5    | 0.1   | 1K   | 100        | POLYPROP | INFINITY |       |
| C6         | 45.0uF  | 5    | 6.0   | 1K   | 100        | NPE      | -        |       |
| C7         | 4.0uF   | 5    | 0.1   | 1K   | 100        | POLYPROP | INFINITY |       |
| C8         | 77.0uF  | 5    | 6.0   | 1K   | 100        | NPE      | -        |       |
| C9         | 108.0uF | 5    | 6.0   | 1K   | 100        | NPE      | -        |       |
| C10        | 170.0uF | 5    | 6.0   | 1K   | 100        | NPE      | -        |       |

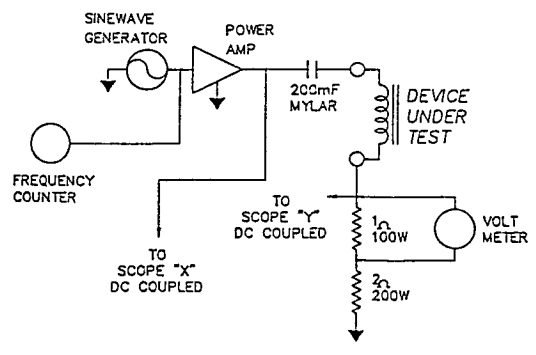
| Resistors |     | Ref. | Value | Tol%          | Watts        | Type | Brand |
|-----------|-----|------|-------|---------------|--------------|------|-------|
| R1        | 2.0 | 15   | 5     | POTENTIOMETER | QBATA/VIOLET |      |       |
| R2        | 1.0 | 15   | 10    | POTENTIOMETER | QBATA/VIOLET |      |       |

Protection Devices  
 CB1 1.25A-30 CIRCUIT BREAKER (QTY.1)  
 ZD 1,2 1N5348B ZENER DIODES (QTY.2)

Crossover Cup: 712-5925

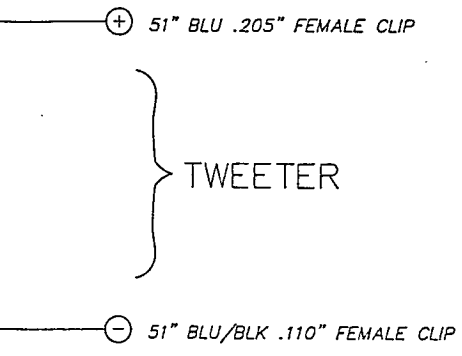
PCB: MATERIAL:CEM1; Thickness: 1.6mm; COPPER WEIGHT: 2 Oz  
 WIRES: Monster Cable Special or equivalent - see left for lengths  
 CLIPS: See left

- ① GenRad DigiBridge @1kHz.
- ② DC amps where inductance changes by 10%.
- ③ Tolerance applies to Inductance, DCR, and Q
- ④ Test set-up as shown:

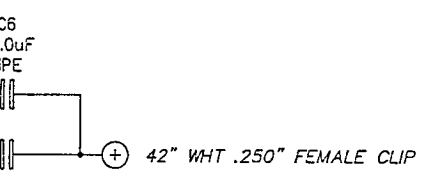


**INFINITY SYSTEMS, INC. PROPRIETARY**  
 This document contains confidential and proprietary information that is the property of Infinity Systems, Inc. and may not be disclosed to or duplicated for others except as authorized by Infinity Systems, Inc.

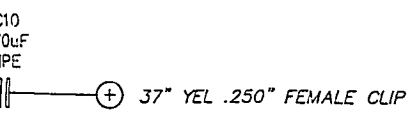
|  |              |
|--|--------------|
| Infinity Systems Inc.                    |              |
| KAPPA 9.1 & 9.2i SERIES II               |              |
| CROSSOVER SCHEMATIC                      |              |
| P/N: .015...7229A/B                      |              |
| DWG NO: 015-7229A/B-02055-51D            |              |
| DRAWN BY: R. RAHL                        |              |
| DATE: 05-23-94                           | SCALE: N/A   |
| APPROVED: AS JI 07-20-94                 |              |
| CAD FILE NAME: KAPPA/SERIES 2/9-2/SCHEMA |              |
| TOLERANCES: ANG: ± = .5° FRACT. ± = 1/32 |              |
| DECIMALS: .XX ± = .01 .XXX ± = .005      |              |
| REVISION: B                              | SHEET 1 OF 2 |



TWEETER



MIDRANGE



MIDBASS



18" ORANGE WIRE SOLDERED TO POSITIVE  
 LOW-PASS TERMINAL ON INPUT CUP.  
 OPPOSITE END TO CONTAIN .250" FEMALE CLIP



LOW FREQUENCY  
 INPUTS



18" ORANGE/BLK WIRE SOLDERED TO NEGATIVE  
 LOW-PASS TERMINAL ON INPUT CUP.  
 OPPOSITE END TO CONTAIN .250" FEMALE CLIP

