

# RSA

## Reference Standard Series 2-Way Speaker

### SPECIFICATIONS

**ACOUSTIC & ELECTRICAL SPECIFICATIONS:**

- Nominal Impedance: 4 ohms
- Power Rating: 25-150 watts RMS
- Crossover Frequencies: 3kHz
- Frequency Response: 45Hz-32kHz +/-3dB

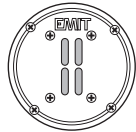
**PRODUCTION HISTORY**

- Introduced in 1978
- Discontinued 1983
- Original Retail Price: \$450.00/pair

**PHYSICAL SPECIFICATIONS:**

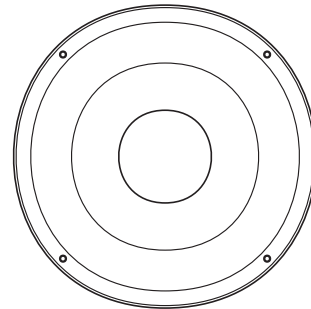
- 1x - EMIT Electromagnetic Induction Tweeter
- 1x - 10" (25.4cm) RS Woofer with Polypropylene Cone
- Dimensions: 25"H x 14"W" x 10"D  
63.5cm(H) x 35.5cm(W) x 25.4cm(D)
- Cabinet: Not Sold
- Grille: NLA
- Tweeter Level Control: #145-0103
- Crossover: NLA
- Logo: NLA

### TECHNICAL INFORMATION

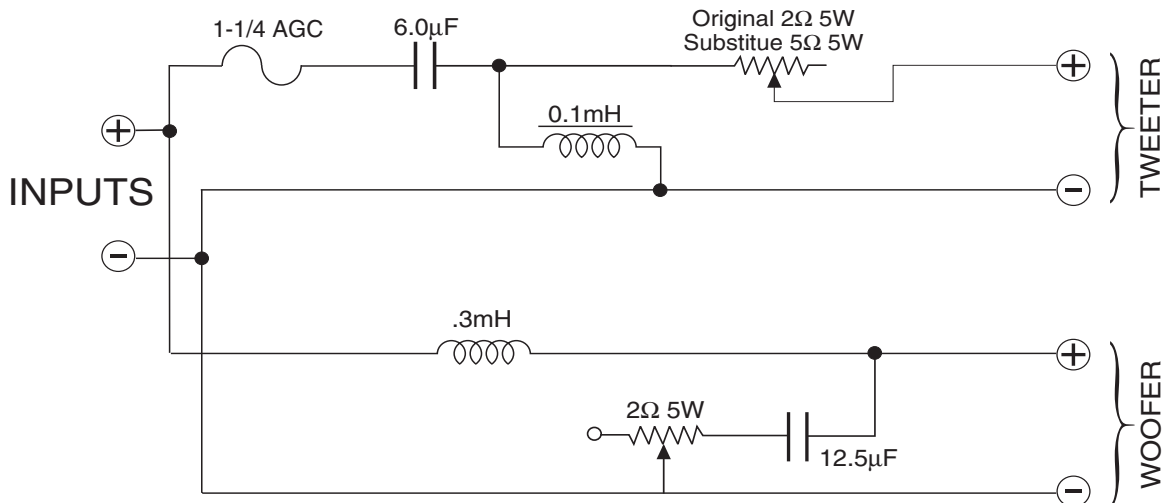


TWEETER  
#902-0221

TWEETER DIAPHRAGM  
#751-3722



10" WOOFER  
#902-2279  
Substitute #902-2279-A



RSA Reference Standard 2-Way Speaker